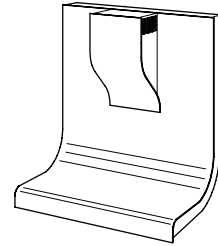


WM24I SERIES RANGE HOODS



Sleek styling, state-of-the-art performance, unique materials, unsurpassed workmanship - from the world's design trendsetter.

FEATURES

- Italian design.
- Wall mount.
- Finish: Matte Aluminum, Red, Blue, or Black
- Widths: 35-7/16" and 48".
- Accommodates 8' and 9' ceilings.
- 8" round duct connector/backdraft damper.
- Halogen lighting (4 x 20 watt, Type JC 12V 20W G4 Base (bulbs included) with high and low setting).
- Quiet, 4-speed centrifugal blower with high-efficiency motor produces 540 cfm of exhaust.
- Gas sensor technology activates blower when steam and cooking impurities are detected.
- Delay timer control automatically shuts off the blower after ten minutes.
- Filter maintenance alarm indicates when it's time to clean or change filters.
- Can be ducted to the outside (vertical or horizontal discharge) or non-ducted for indoor recirculation (purchase recirculation kit separately).
- Dishwasher-safe grease filters feature a quick-release latch and decorative cover plate.
- Heat Sentry™ - automatically turns blower to high speed when excess cooking heat is detected.
- Air refresh feature runs the blower at low speed for 10 minutes, every 50 minutes.

OPTIONS

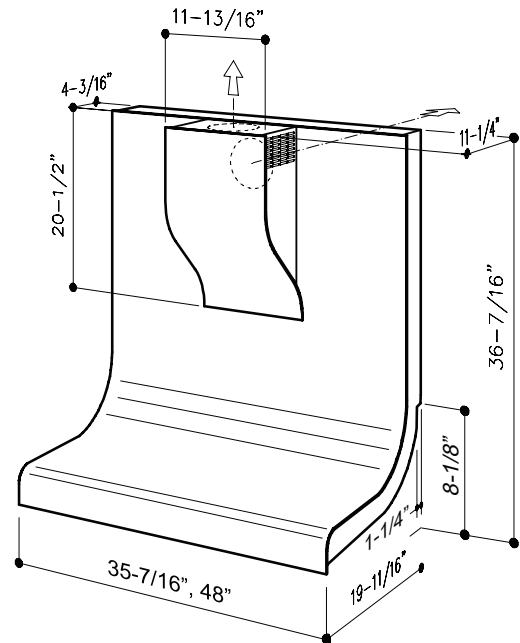
- Replacement grease and charcoal filters available.
- Non-ducted recirculation kit (Model ANKWM24) for 36" or 48" wide hoods.
- Flue extension for 10' ceilings (AEWM24 Series, available in Matte Aluminum, Red, Blue, or Black).
- Exterior blower version (WM24E Series) available, providing 600, 900, 1200, or 1500 cfm exhaust or; Interior, in-line blower available, providing 280, 600, 800, or 1100 cfm exhaust.

SPECIFICATIONS

VOLTS	AMPS	CFM	SONES	DUCT
120	3.56	540 (High - Horiz.) 150 (Low - Horiz.) 530 (High - Vert.) 140 (Low - Vert.)	9.0 1.0 8.5 1.0	8" round



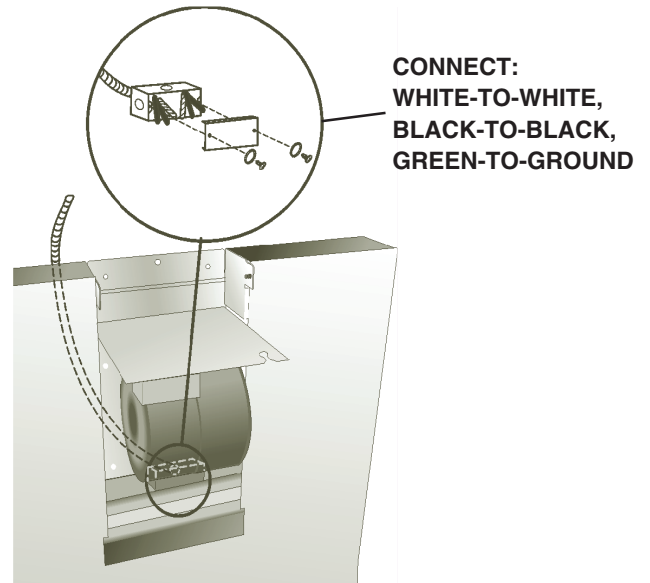
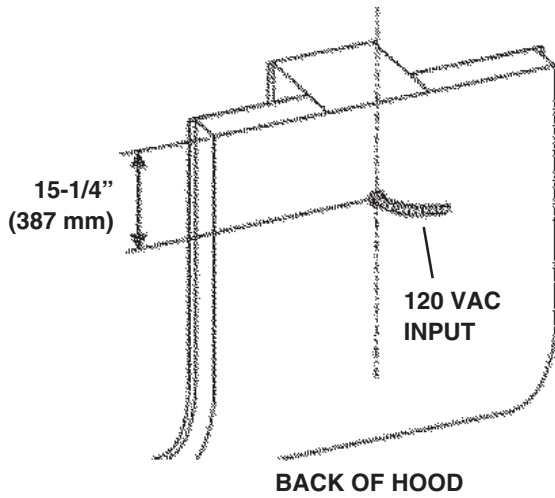
HVI-2100 CERTIFIED RATINGS comply with new testing technologies and procedures prescribed by the Home Ventilating Institute, for off-the-shelf products, as they are available to consumers. Product performance is rated at 0.1 in. static pressure, based on tests conducted in a state-of-the-art test laboratory. Sones are a measure of humanly-perceived loudness, based on laboratory measurements.



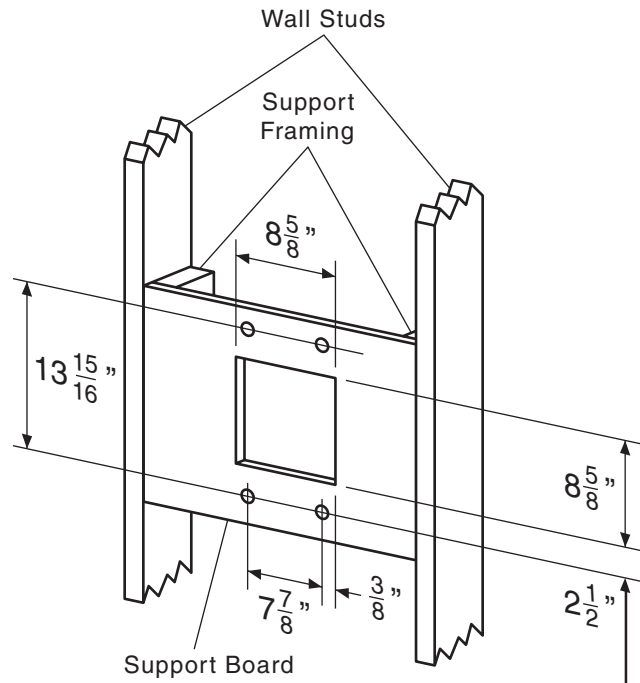
BEST BY BROAN P.O. BOX 140 HARTFORD, WISCONSIN 53027

REFERENCE	QTY.	REMARKS	Project
			Location
			Architect
			Engineer
			Contractor
			Submitted by Date

WM24I SERIES WIRING



WM24I SERIES MOUNTING



CEILING HEIGHT	HOOD DISTANCE ABOVE 36" HIGH COOK TOP						
	23-3/8"	24-3/8"	25-3/8"	26-3/8"	27-3/8"	28-3/8"	29-3/8"
	MOUNTING BRACKET LOCATION ABOVE 36" HIGH COOK TOP						
8-Foot	44-7/8"						
9-Foot	44-7/8"	45-7/8"	46-7/8"	47-7/8"	48-7/8"	49-7/8"	50-7/8"
10-Foot	44-7/8"	45-7/8"	46-7/8"	47-7/8"	48-7/8"	49-7/8"	50-7/8"

Notes:

Minimum hood distance above the cook top must not be less than 23-3/8".
 A maximum of 29-3/8" above cook top is highly recommended for best capture of cooking impurities.
 Distances over 29-3/8" are at the user's discretion; and if ceiling height and flue lengths permit.

